

# kranzle



High Pressure Cleaners

Pressure Washer Accessories

Wet and Dry Vacuum Cleaners

General Cleaning Equipment



## Domestic Cold Water



1050 P

1050 TS

1050 TST

7.5L at 130 Bar - 2800 r.p.m

## Light Commercial Cold Water



X-Line A15 - 8L at 130 Bar  
230V - 1400 r.p.m

X-Line A17 - 9L at 150 Bar  
230V - 2800 r.p.m

## Compact and Commercial-duty Cold Water



2175 TS - 12L at 160 Bar  
400V - 1400 r.p.m

2160 TS - 11L at 140 Bar  
230V - 1400 r.p.m

7/122 TS - 7L at 120 Bar  
230V - 1400 r.p.m

HD 11/130 TS  
11L at 130 Bar - 230V - 1400 r.p.m

Contractor 11/130 TS

## Industrial Cold Water High Pressure Cleaners



Quadro 599 TST - 10L at 150 Bar  
230V - 1400 r.p.m.

Kranzle Hire Version  
599 - 10L at 150 Bar  
799 - 13L at 180 Bar

Quadro 799 TST - 13L at 180 Bar  
400V - 1400 r.p.m.

Quadro 800/ 1000/ 1200 TST  
400V - 1400 r.p.m.

Bully 1000 - 400V  
16L at 220 Bar

## Stationary Cold Water High Pressure Cleaners



Wall-mounted  
Models - 599/799 TS

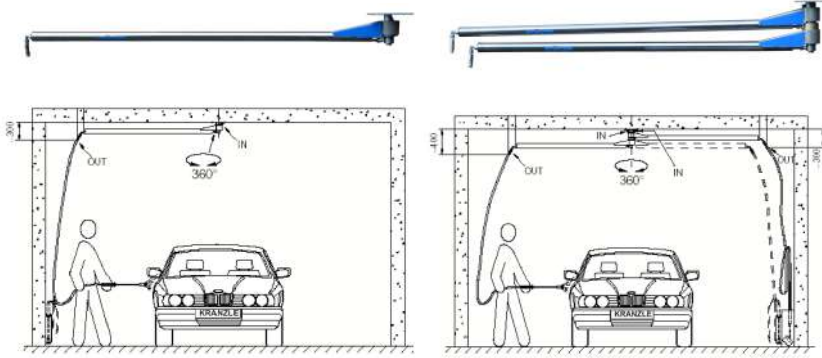


WS Stationary Models  
13L at 250 Bar / 16L at 220 Bar / 19L at 180 Bar  
400V - 1400 r.p.m.



Wall-mounted 3250 TS

## Carwash Swivel Booms



Single Swivel Boom

Double Swivel Boom



## Kranzle Foaming



Kranzle Foamer - Requires air, water and chemical supply



Kranzle Foaming Bottle  
Available 1L or 2L



## Vacuum Cleaner Range



30L Wet and Dry  
1 x 1000W - 230V

80L Wet and Dry  
2 x 1000W - 230V

80L Wet and Dry  
3 x 1000W - 230V

Ventos 30L Wet and Dry  
1200W - 2400W

## Underbody Cleaners



Twister Car Wash

Typhoon Truck Wash

## Carpet and Valet Products



Predator Upholstery / Carpet  
Extractor 40L - 2 x 3-stage motor

Sniper Upholstery / Carpet  
Extractor 20L - 1 x 3-stage motor

Valet Dryer for drying the interior  
of vehicles - 230V/400V

## Floor Cleaning



GT50 Automatic Floor  
Scrubber/Drier

## Hot Water High Pressure Cleaners



Wall-mounted Electra  
24kW - 36kW - 48kW - 72kW



Electra Mobile

Model	Electra 24	Electra 36	Electra 48	Electra 72
Working Pressure (Bar)	180 Bar	180 Bar	200 Bar	200 Bar
Max Pressure	200 Bar	200 Bar	220 Bar	220 Bar
Water Flow	10 L/M	10 L/M	13 L/M	13 L/M
Motor Rating	5.5 kW	5.5 kW	7.5 kW	7.5 kW
Motor RPM	1400 r.p.m.			
Supply Voltage	400V - 3 phase			
Heating Elements kW	24 kW	36 kW	48 kW	72 kW
Current Supply Required	40A	60A	80A	120A
Max Temp on Exit	60°	70°	80°	95°
Dimensions Cabinet	1250 mm x 600 mm x 400 mm			



Therm 890 - 1017  
Various models available

## Profi Petrol / Mobile High Pressure Cleaners



Kranzle B13/150 - 13L at 150 Bar  
Petrol - Torx



B16/220 - 16L at 220 Bar  
Petrol - Yamaha



B13/150 - 13L at 150 Bar  
Petrol - Honda



B16/250 - 16L at 250 Bar  
Petrol - Honda



Skid-mounted version  
Petrol

## Tecnovap Steam Generators



Evo Blu  
6 bar - 230V



Evo 304  
8 bar - 230V



Carmen Plus Inox  
6 bar - 230V



Junior Star Max  
8 bar - 230V



Steam Box Industrial  
Various models up to 36kW

## Iteco Single Brush Wash Systems



Easywash D500  
Diesel - 6,5 HP



Easywash 50E  
400V



## Mosmatic Accessories for High Pressure Cleaners



All Rounder



Professional



TRL Wand



Duct Cleaner



Roof Cleaner



Roof Cleaner

## Roof/Surface Cleaner

## Boiler Cleaning



Quadro 800 TS



Boiler Cleaning Kit with Foot switch



SOLA-TECS C-System

## Solar Panel Cleaning

## Accessories



Starlet Gun / Short Gun M22 or Quick-coupling



Standard Lance / Adjustable Vario Jet Lance



Telescopic Lance



Retractable Hose Reel



Gun Holder Floor Mounted



Gun Swivel



Hose Connector



Dirtkiller and Turbokiller  
Increases cleaning power by 50%



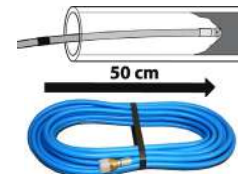
Wall-Mounted Hose Reel



Stainless Steel Hose Reel



Spray Guard



Pipe / Drain Cleaning Hose 10, 15, 20 and 30m



Foaming Bottle



Sandblasting lance  
minimum 10L per minute



Sludge Sucker / Pumps up to 20 000L per hour



Underbody Lance



Round Cleaners

## Wine Barrel Cleaning



Stainless Steel Barrel Cleaner on frame



MOOG Barrel Cleaner



On-the-Cradle Barrel Cleaner

## Cleaning on the Cradle



Loading of cradles



Barrels in position for cleaning



Control panel

## Steamer



Steamer - 9, 18, 27 or 36kW  
Higher output models on request

## Wine Tank Warmer



Wine Tank Warmer - 18kW  
Higher output models on request